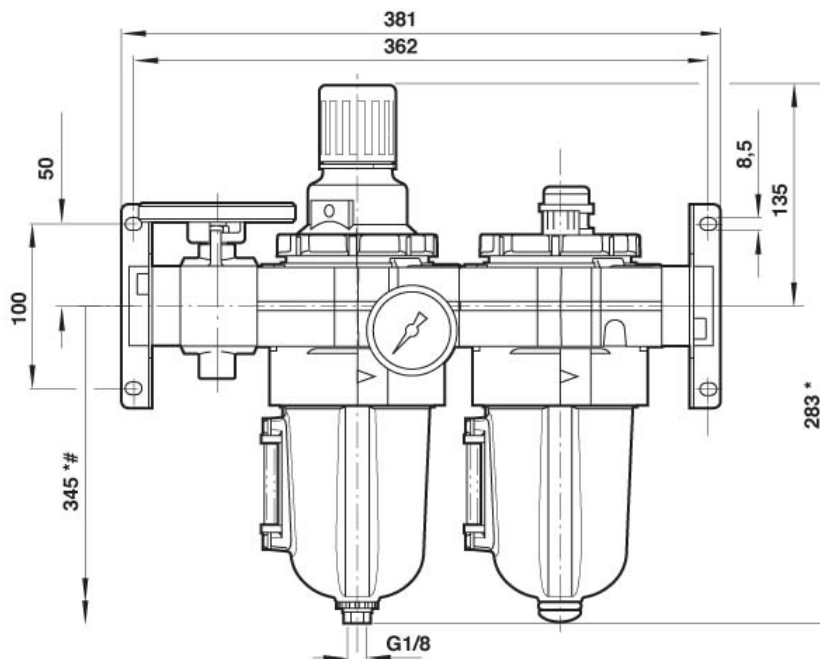


BL68-KIT

1" BSP (FRL) Filter, Regulator, Lubricator Set is complete with pressure gauge, exhausting shut-off valve and mounting bracket - Ready to "Plug & Play" !

This is a complete quality air processing unit, pre-assembled ready to install, with a massive 424 cfm of air flow. This unit has a manual drain and you can order an automatic drain version if required.



BL68-801
Autodrain
Version

* Minimum clearance required to remove bowl
Reduces by 4 mm with knob in locked position
Weight: 6,69 kg